

CT728CU(G)(X) & CT728CUV(G)(X)

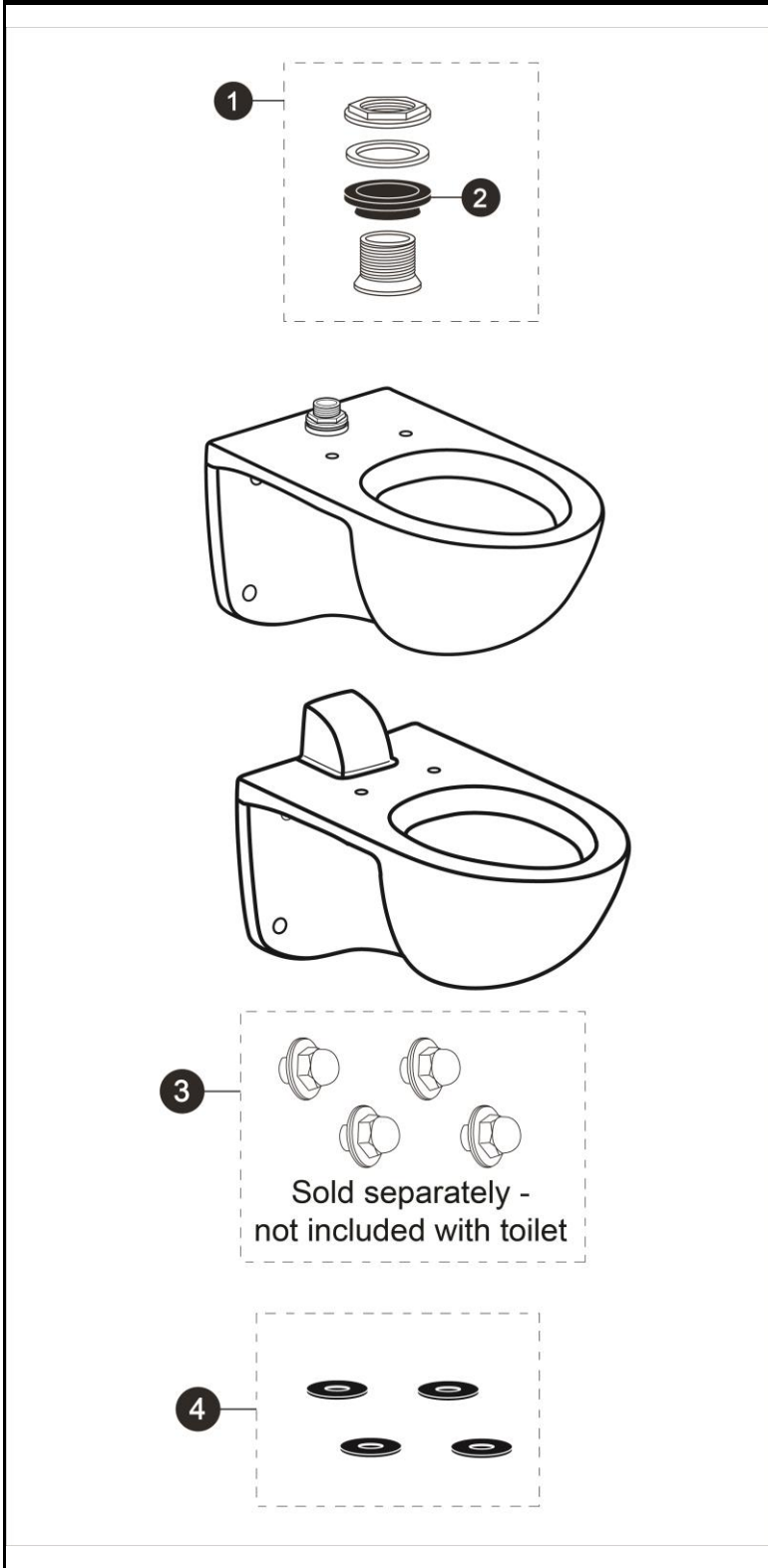
CT728CU
CT728CUG

CT728CUV
CT728CUVG

CT728CUX
CT728CUGX

CT728CUVX
CT728CUVGX

Commercial Wall Mount, Tornado Flush, Elongated, 1-1/2" Top or Back Inlet Spud, 1.6 Gpf, 1.28 Gpf or 1.0 Gpf Toilet, (CEFIONTECT®, Reclaimed Water Use)



Item	Part	Description
1	THU073R-A THU073RX-A	Spud Kit Spud Kit for Reclaimed Water Use
2	THU120R	Spud Gasket (10 pieces)
3	THU111	Retro-Fit Mounting bolt cap set (4 pieces)
4	THU448	Rubber washer kit (4 pieces)

Note:

Requires the use of any Jay R. Smith siphon jet support (four-bolt).

Product Number Explanations

Bowl

(CT) Commercial Toilet
(728) Model
(C) Tornado Flush
(U) 1.0, 1.28 or 1.6 Gpf
(V) Back Inlet Spud
(G) CEFIONTECT®
(X) Reclaimed Water Use

Colors

(#01) Cotton

Actual Product may vary slightly from illustration.

PD-01465 v.02

Parts Manual AUG 2023

TOTO